

auto electrical parts

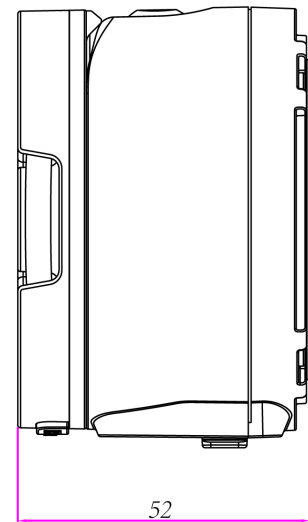
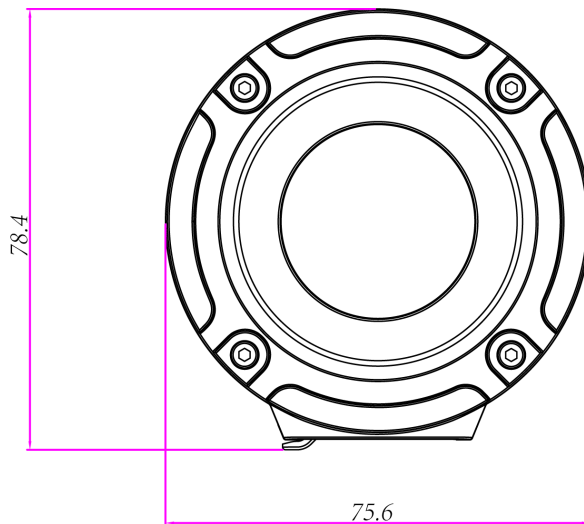
Technical Information Sheet

Part No. 0-699-65

Durite COB LED Inspection Lamp with magent and hook. Powerful 6W COB LED. Rechargeable Li-Ion 3.7V 2600mAh battery. Two light output modes 50% and full. Run time 1.5~3hours. 300~600Lumens. IP65. CE Approved.



Technical Drawing (not to scale)



Specification

Type	LED Inspection Lamp
LED	COB
Wattage	6W
Battery	Li-ion 18650 type 3.7V 2600mAh
Brightness	300~600 lumens
Runtime	3/1.5 hrs
Charging time	4hrs
Chargers	AC adapter Input: 100~240V Output: 5V/1A
Dimension	79x76x52mm
Weight	227g
Protection	IP65
Drop rating	IK07
Material	Aluminum body, ABS
Certificate	CE

The information contained in this document is correct to the best of our knowledge at the time of printing. However, specifications may change at any time without notice.